

Grip NxT

School chair with C-base

Design — Mikko Halonen



The Grip NxT C-base is a stackable and hangable student chair. The chair is available with three sitting heights, which offers a suitable option for every student. Thanks to the adjustable footrest, the same chair model fits for users of different heights - from preschoolers to adult students. Grip NxT school chair with C-base can be hung from its back on a tabletop without a separate hanger.



MATERIAL DESCRIPTION:

Base: painted grey, white, black or Inspiring Colours

Felt glides

Form-pressed seat and high backrest in laminate:

oak or birch pattern, white, grey, Apricot Nude, Sand Yellow or Sage Green

Upholstered seat cushion also available

PRODUCT CODE NUMBER:

NxT00145(C)

NxT00152(C)

NxT00162(C)

C = upholstered seat

ACCESSORIES:

Transport trolley

FABRIC CONSUMPTION:

0.5 m / 2 pcs

WEIGHT:

NxT00145: 6,5 kg

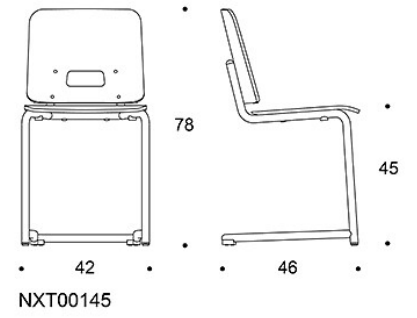
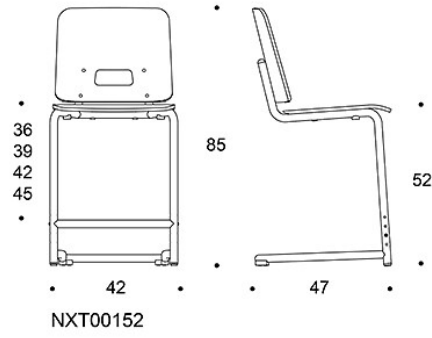
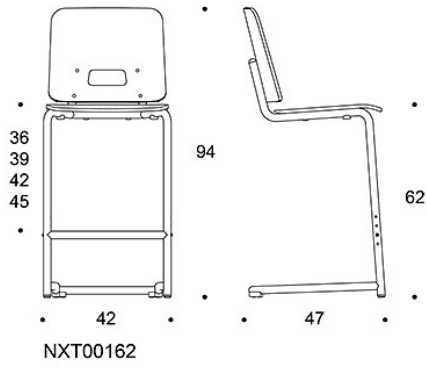
NxT00152: 7 kg

NxT00162: 7.4 kg

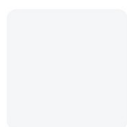
FEATURES:

- three seat heights; 45, 52 and 62 cm
- adjustable and removable footrest as standard feature in 52 and 62 cm high chairs
- chair can be hung without a separate fitting
- cannot be hung on Trivia OP1311 and OP1321 school tables
- stackable

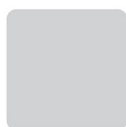
Dimensional drawing:



Standard materials:



L11



L43



HPL233



HPL124



HPL213



KL



TL1